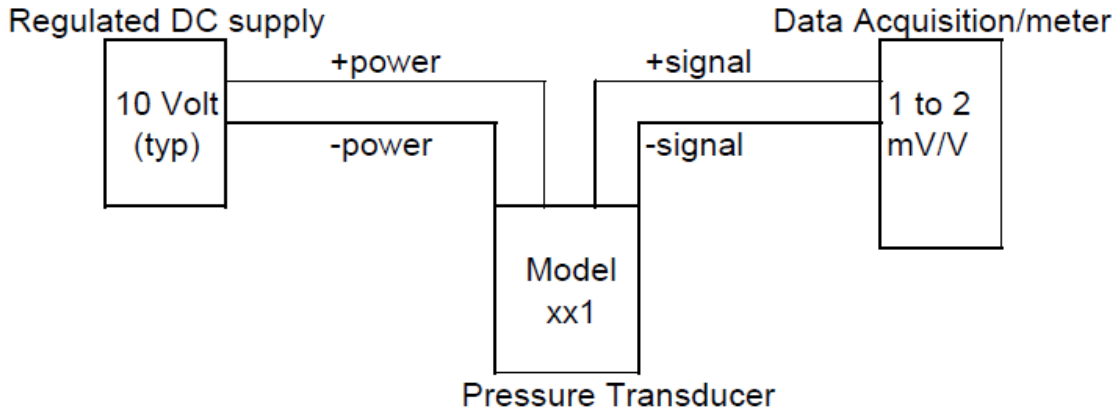
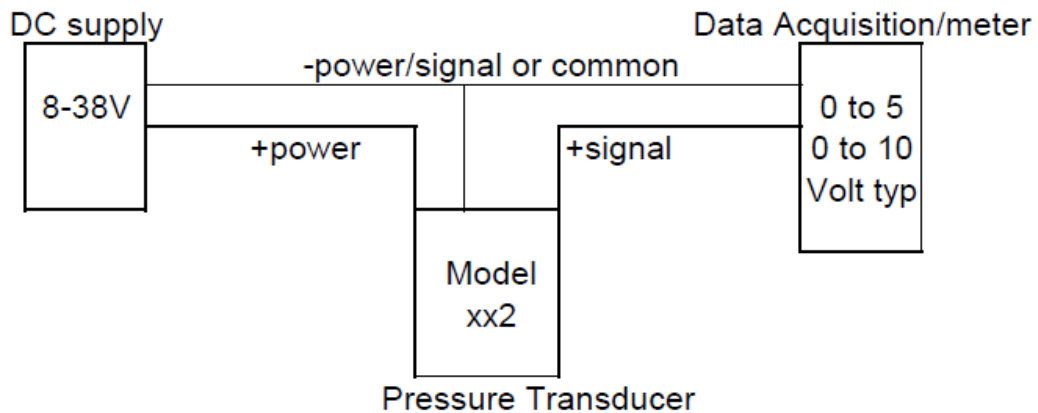


Standard Wiring / Instalation

mV output units (std 4 wire)



Voltage output units (std 3 wire)



Current output units (std two wire)

