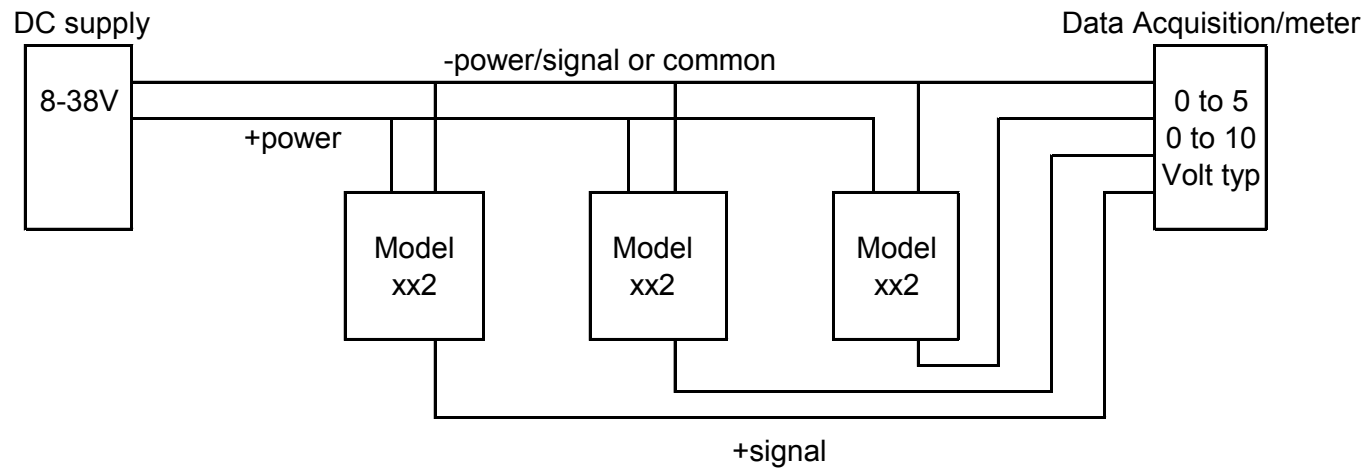


Wiring for multiple Voltage (3- wire) sensors



Wiring for multiple 4-20 mA (2- wire) sensors

