

# EXP Series



Pressure Transmitter with Integral Display

## *Designed for Industrial Applications*

### **Manufactured for reliable service in aggressive environments**

Dylix's EXP Series Pressure Transmitter is designed for use in industrial locations. The EXP's entirely welded Stainless Steel sensor construction is hermetically sealed, making it ideal for the worst of pressure applications. The EXP is manufactured for reliability in aggressive environments where other transmitters fail. Dylix's automated weld procedures, extreme environmental burn in, and the mounting of our electronics to withstand the most severe shock and vibration applications are all geared toward safety and reliability. Additional EMI/RFI filtering with surge protection add to the performance of the EXP.

### **Alternate materials for service in corrosive environments**

For corrosive environments where 316L or 17-4 SST are not best suited, the EXP is available with Hastelloy C276 wetted parts.

### **Dylix's Customer Service**

Each EXP transmitter is shipped with a NIST traceable calibration certificate.



Dylix's EXP Series Pressure Transmitters feature a process type housing for conduit electrical connections and local display and push button adjustment. Designed to configure to the broadest possible range of pressure applications.

Coupled with Dylix's all welded stainless steel pressure ports, the EXP series is an excellent choice for every application where a rugged long life sensor is required.

### **Standard Features**

- ± 0.25% FSO Static Accuracy
- 4:1 turndown
- 1/2" NPT conduit electrical connection
- 4 digit LED display
- NEMA 4X enclosure
- 1/2" NPT (M) x 1/4" NPT (F) pressure port
- HART enabled (with 4-20 mA version)

### **Available Options**

- 1-5 Vdc Output
- Alternate wetted materials
- Improved accuracy

Dylix Corporation  
347 Lang Blvd.  
Grand Island, NY 14072 USA

*Design & Manufacturer of  
Pressure Instruments*

www.dylixcorp.com  
P 716.773.2985  
F 716.773.2786

# EXP Series Process Transmitter



0-1 through 0-20K psi  
Pressure transmitter

## Product Specifications

### Electrical

Excitation	
EXP2	8-38 Vdc*
EXP3	18-40 Vdc
Output	
EXP2	0-5 Vdc* <i>(For 1-5 Vdc use Option Code: D07)</i>
EXP3	4-20 mAdc
Resolution	Infinite (0.001% FSO usable)
Response Time	
EXP2	< 5 mS
EXP3	< 70 mS
Insulation Resistance	1,000 M $\Omega$ at 50 Vdc
Reverse Polarity	Protected
Warm-up	< 10mS
Power Supply Effect	$\pm$ .002% per V input
EMI/RFI	Internal Filtering
Short Circuit Protected	Up to 40 Vdc

### Mechanical

Pressure Ranges	0-1 through 0-20K psi <i>(Absolute &amp; vacuum are available options)</i>
Proof Pressure	2X Full Scale*
Burst Pressure	5X Full Scale*
Materials	
Wetted parts	316 & 17-4 SST*
Non-Wetted parts	316L SST cast aluminum
Pressure Port	1/2" NPT (M) x 1/4" NPT (F)*
Electrical Connector	1/2" NPT (Male) conduit Internal terminal screws
Dimensions	Per outline below

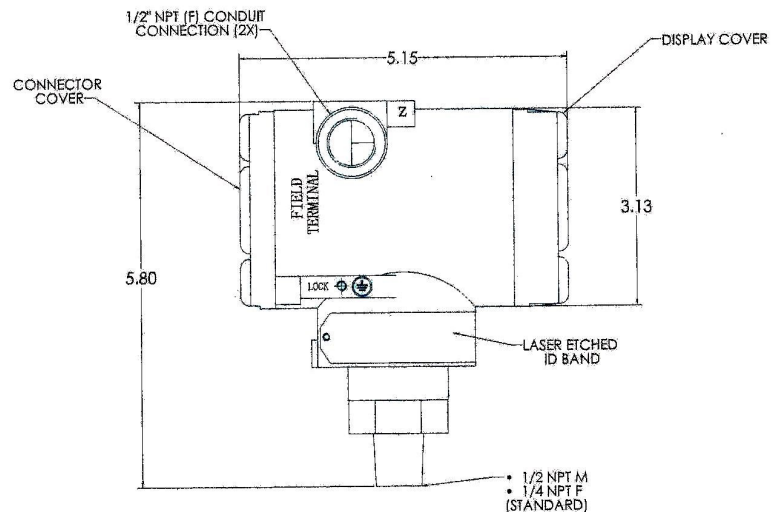
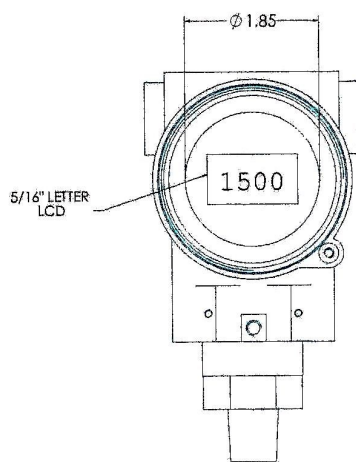
### Environmental

Compensated Temp Range	0 to 170° F
Operating Temp Range	-40 to 200° F

### Performance

Static Accuracy	$\pm$ 0.25% FSO* (BFSL, RSS) <i>(Combined effects of non-linearity, hysteresis &amp; repeatability)</i>
Temperature Effects	$\pm$ 0.5% FSO over comp range* <i>(Combined effects of Zero &amp; FSO with reference at 70° F)</i>
Long Term Stability	$\pm$ 0.1% FSO per year

### \*Options Available



### Standard Wiring:

Model	Output	+ Power	- Power	+ Signal	- Signal
EXP2	0-5 (10) Vdc 3 wire	Red	Black	Green	+ Sig ref to - Power
EXP3	4-20 mAdc 2 wire	Red		Black	

Dylix Corporation reserves the right to change specifications without prior notification. Please contact the factory for the latest revision.