

Pressure Transmitter with Integral Display

EXP Series



Designed for Industrial Applications

Design & Application

Dylix's EXP Series Pressure Transmitters feature a process type housing for conduit electrical connections and local display and push button adjustment. The EXP Series is designed for use in aggressive locations, but configurable to the broadest possible range of pressure applications. The unit's entirely welded Stainless Steel sensor construction is hermetically sealed, making it ideal for the worst installations, and rugged enough to continue to operate in environments where other transmitters fail. Additional EMI/RFI filtering with surge protection add to the performance of the EXP.

Manufacturing & Quality

The EXP is built using an advanced modular assembly process that allows high customization and short delivery times. Sophisticated manufacturing techniques, with automated weld procedures, extreme environmental burn-in and thorough residual stress relieving processes ensure the EXP Series maintains its performance over time.

Dylix's Customer Service

Each EXP transmitter is shipped with a NIST traceable calibration certificate. Annual re-calibration and repair/refurbishment services are available.

Standard Features

- $\leq \pm 0.25\%$ FSO Static Accuracy
- 4:1 turndown
- $\frac{1}{2}$ " NPT electrical conduit connection
- 4 digit LED display
- NEMA 4X enclosure
- $\frac{1}{2}$ " NPT (M) x $\frac{1}{4}$ " NPT (F) pressure port

Optional Features

- 1-5 Vdc Output
- Alternate wetted materials – Hastelloy C276
- Improved accuracy
- HART (with 4-20 mA version)

**Contact Dylix Sales for
Other Custom Applications...**
sales@dylixcorp.com • 716.773.2985

Specifications: EXP Series

Process Transmitter

0-1 through 0-20K psi

Baseline Configuration Specs Represented.
Modifications Encouraged - See Below
Custom Designs Available

Electrical

Excitation

EXP2 8-38 Vdc*
EXP3 18-40 Vdc

Output

EXP2 0-5 Vdc*
(For 1-5 Vdc use Option Code: E14)
EXP3 4-20 mAdc

Resolution

Infinite (0.001% FSO usable)

Response Time

EXP2 < 5 mS
EXP3 < 70 mS

Insulation Resistance

1000 M Ω at 50 Vdc

Reverse Polarity

Protected

Warm-up

< 10 mS

Power Supply Effect

± ± .002% per V input

EMI/RFI

Internal Filtering

Short Circuit Protected

Up to 40 Vdc

Mechanical

Pressure Ranges

0-1 through 0-20K psi
(Absolute, vacuum & compound
are available options)

Proof Pressure

2X Full Scale*

Burst Pressure

5X Full Scale*

Materials

Wetted Parts 316 & 17-4 ss*

Non-Wetted Parts 316L sst cast aluminum

Pressure Port

½" NPT (M) x ¼" NPT (F)*

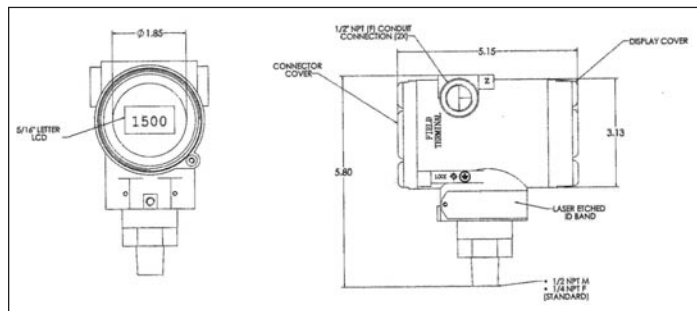
Electrical Connector

½" NPT (Male) conduit
Internal terminal screws

Dimensions

Per Drawing

Product Dimensions (inches)



Performance

Static Accuracy

± ± 0.25% FSO* (BFSL, RSS)
(Combined effects of non-linearity,
hysteresis & repeatability)

Temperature Effects

± 0.5% FSO over comp range*
(Combined effects of Zero & FSO
with reference at 70° F)

Long Term Stability

± ± 0.1% FSO per year

Environmental

Compensated Temp Range

0° to 170° F

Operating Temp Range

-40° to 200° F

Standard Wiring

Model	Output	+ Power	- Power	+ Signal	- Signal
EXP2	0-5 (10) Vdc 3 wire	Red	Black	Green	Black
EXP3	4-20 mAdc 2 wire	Red		Black	

*Options Available

Modifications and Warranty

MODIFICATIONS: Transducer/Transmitter applications vary greatly. As such our designs are flexible. Choices such as pressure ports, electrical termination, material compatibility, and performance are a few of the many options available. Specifications on this datasheet represent standard configuration only. Product and company names that may be listed are trademarks of their respective companies. Any and all specifications subject to change without notice.

WARRANTY: Dylux Corporation warrants that its product shall be free from defective workmanship and/or material for a twelve month period from the date of shipment, provided that Dylux Corporation's obligation shall be limited to correcting any defective material, FOB our factory. No allowance will be made for any expenses incurred for correcting any defective workmanship and/or material without written consent by Dylux Corporation. This warranty is in lieu of all other warranties expressed or implied.

*Due to the nature of technology, changes are inevitable.
For latest technical specifications, see our website.*



A US Designer and Manufacturer of
Pressure Transducers & Transmitters

Dylux

Corporation

347 Lang Blvd. Grand Island, NY 14072 USA
Phone: 716.773.2985 | Fax: 716.773.2786
Web: dyluxcorp.com

Copyright © 2018 Dylux Corporation • All Rights Reserved
Datasheet DGS1118